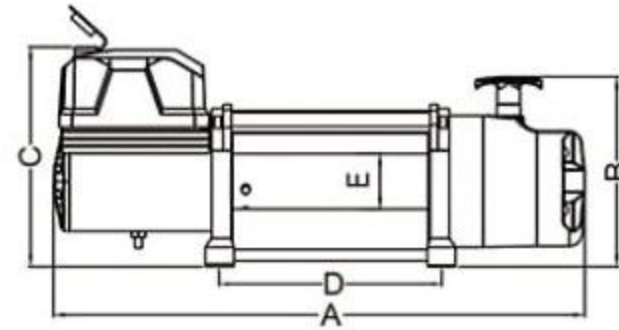


A=23.86"(606mm) B=8.54"(217mm)  
 C=9.84"(250mm) D=10"(254mm)  
 E=Φ2.48"(63mm)



A=23.86"(606mm) B=8.54"(217mm)  
 C=9.84"(250mm) D=10"(254mm)  
 E=Φ2.48"(63mm)

## PRO12500

### SPECIFICATIONS:

#### Rated line pull:

12500lbs(5670kgs)single line

#### Motor(Series wound):

DC 12V: 6.4hp/4.7kW

#### Gear train:

4 stage planetary

#### Gear ratio:

171:1

#### Clutch:

Pull and turn

#### Braking action:

Automatic in the ratchet wheel

#### Fairlead:

4-way roller fairlead /Aluminum hawse

#### Wire rope:

3/8"×85.3'(9.2mm×26m)

#### Drum size:

2.48"×8.74"(63mm×222mm)

#### Dimensions:

24"×6.77"×9.84"(610mm×172mm×250mm)

#### Bolt pattern:

10"×4.5"(254mm×114.3mm)

#### Net Weight:

95.8lbs(43.5kgs)

### 12V DC Line speed and motor current (first layer)

Line pull		Line speed		Motor current
lbs	kgs	FPM	MPM	Amps
0	0	49.2	15	50
12500	5670	3.3	1	390

## PRO9500

### SPECIFICATIONS:

#### Rated line pull:

9500lbs(4309kgs)single line

#### Motor(Series wound):

DC 12V: 6.0hp/4.4kW

#### Gear train:

4 stage planetary

#### Gear ratio:

171:1

#### Clutch:

Pull and turn

#### Braking action:

Automatic in the ratchet wheel

#### Fairlead:

4-way roller fairlead /Aluminum hawse

#### Wire rope:

3/8"×85.3'(9.2mm×26m)

#### Drum size:

2.48"×8.74"(63mm×222mm)

#### Dimensions:

24"×6.77"×9.84"(610mm×172mm×250mm)

#### Bolt pattern:

10"×4.5"(254mm×114.3mm)

#### Net Weight:

93.6lbs(42.5kgs)

### 12V DC Line speed and motor current (first layer)

Line pull		Line speed		Motor current
lbs	kgs	FPM	MPM	Amps
0	0	52.5	16	50
9500	4309	4.3	1.3	360