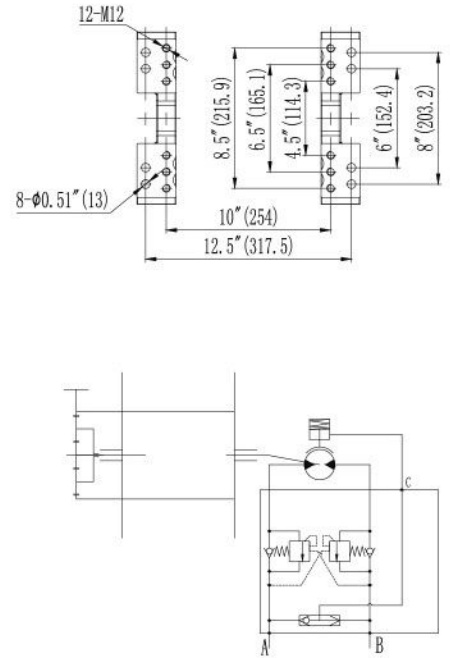
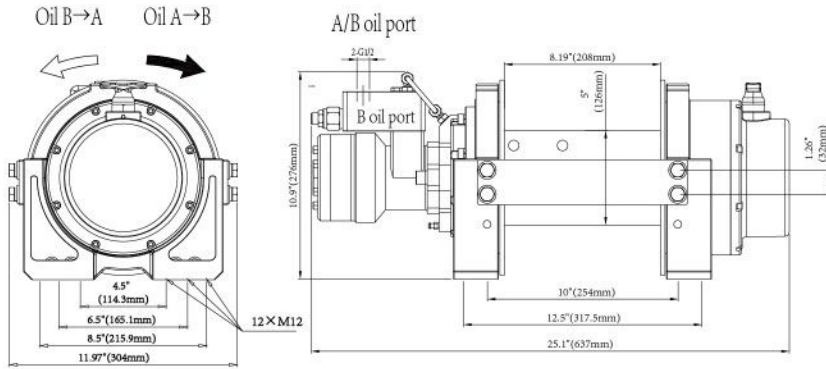


# HEN18000



## PNEUMATIC CLUTCH

<b>Air pressure range (bar)</b>	1~8
<b>Ventilation volume (L/min)</b>	1

## SPECIFICATION

Model	First layer line pull		First layer line speed		Working pressure diff.		Oil flow supply	Gear ratio
	lbs	kg	fpm	mpm	psi	MPa	l/min	
<b>HEN18000</b>	18000	8172	23.0	7	2500	17	75	17.3:1

Model	Wire rope dia.		Layer	Wire rope capacity		Valve model
	inch	mm		ft	m	
<b>HEN18000</b>	φ35/64	φ14	4	98.4'	30	NF-120P1Y1S1-003 NF-120P2Y2S1-003

## PERFORMANCE

Model	HEN35000					
	Rated line pull per layer		Line speed		Wire rope capacity per layer	
	lbs	kg	fpm	mpm	ft	m
1	18000	8172	22.9	7	21.3'	6.5
2	15000	6804	27.5	8.4	45.3'	13.8
3	12857	5832	32.8	10	71.5'	21.8
4	11250	5103	36.7	11.2	98.4'	30

## NET WEIGHT(WITHOUT WIRE ROPE)

Model	Weight	
	lbs	kg
<b>HEN18000</b>	167.4	76

## VALVE OPTIONS

Model	HEN18000	
	Valve	
	NF-060 P2 Y2 S1-002	
	NF-090 P1 Y1 S1-002	

## WARNING:

1. The winch will never be used for hoisting people or hoisting objects above people.
2. Do not use clutch under load.
3. Do not equip winch into oil supply system which without relief valve.

## NOTE:

1. Recommended oil flow supply range is 35-75 l/min.
2. Dual balance valves as standard, winch must be used in Independent oil supply system which with relief valve.